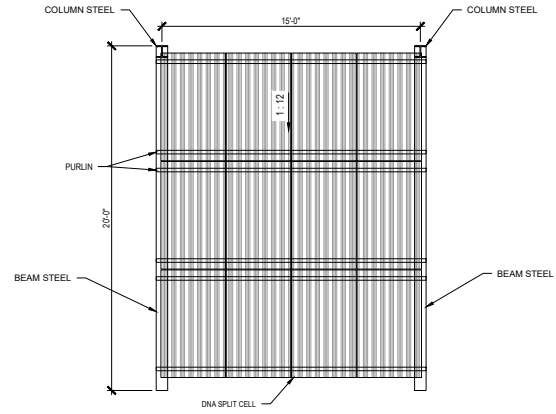
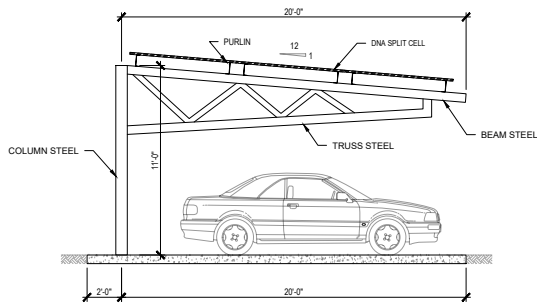


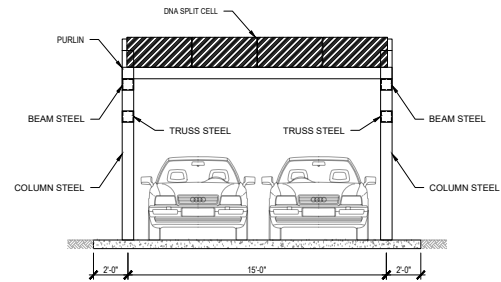
1 FLOOR PLAN
SCALE: 1/4"=1'-0"



2 ROOF PLAN
SCALE: 1/4"=1'-0"



3 SIDE ELEVATION
SCALE: 1/4"=1'-0"



4 FRONT ELEVATION
SCALE: 1/4"=1'-0"